

4

3

2

1

D

D

C

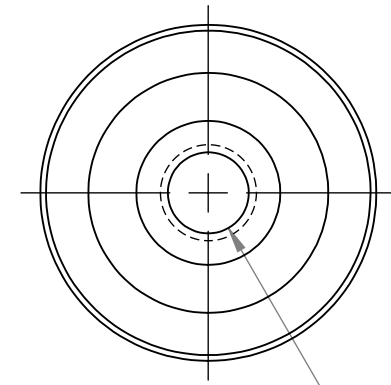
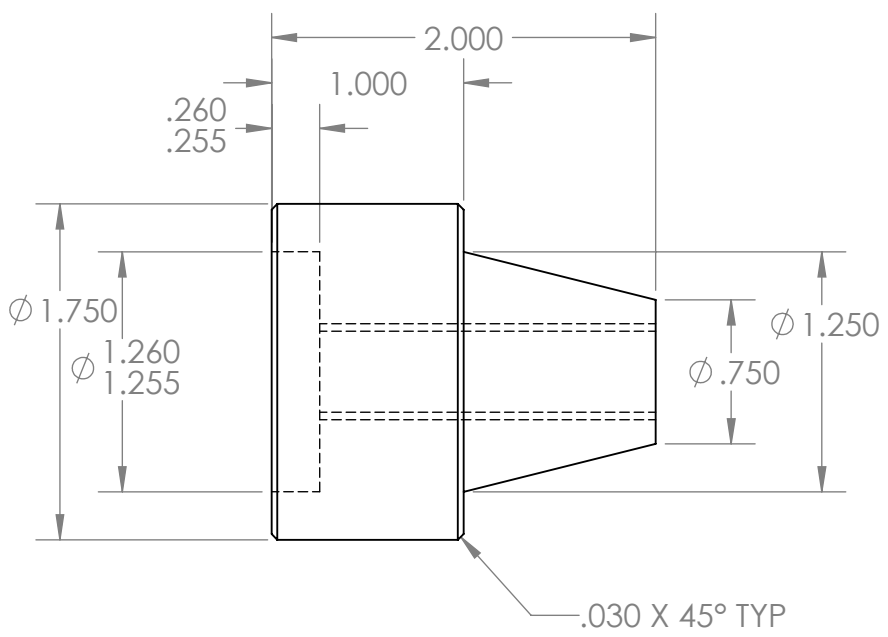
C

B

B

A

A



1/2-13 UNC THRU ALL

**PROPRIETARY AND CONFIDENTIAL**  
 THE INFORMATION CONTAINED IN THIS  
 DRAWING IS THE SOLE PROPERTY OF  
 MAKEITFROMMETAL.COM. ANY NON-  
 EDUCATIONAL  
 REPRODUCTION IN PART OR AS A WHOLE  
 WITHOUT THE WRITTEN PERMISSION OF  
 MAKEITFROMMETAL.COM IS  
 PROHIBITED.

**UNLESS OTHERWISE SPECIFIED:**  
 DIMENSIONS ARE IN INCHES  
 TOLERANCES:  
 FRACTIONAL ±1/16  
 ANGULAR: MACH ±0.5 BEND ±1  
 TWO PLACE DECIMAL ±0.01"  
 THREE PLACE DECIMAL ±0.005"

MATERIAL	4140 HTSR
FINISH	AS MACHINED

TITLE:		SCREW JACK BODY	
SIZE	DWG. NO.		
<b>A</b>	001		
SCALE: 1:1	WEIGHT:	SHEET 1 OF 3	

4

3

2

1

4

3

2

1

D

D

C

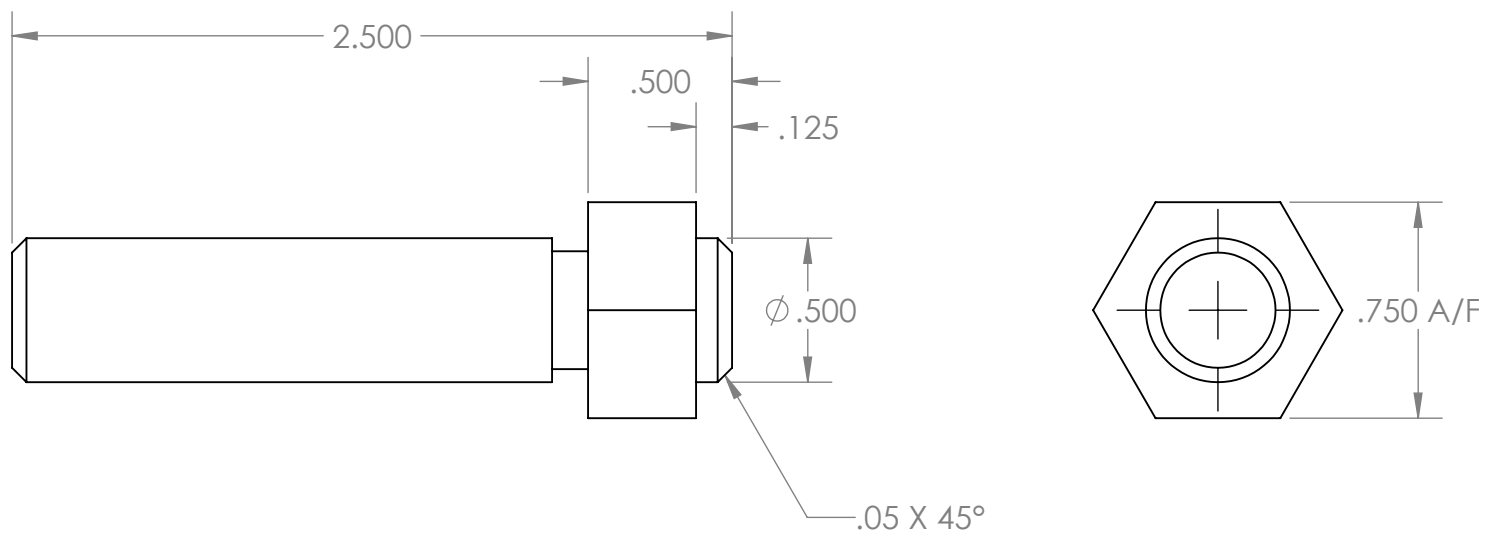
C

B

B

A

A



**PROPRIETARY AND CONFIDENTIAL**  
 THE INFORMATION CONTAINED IN THIS  
 DRAWING IS THE SOLE PROPERTY OF  
 MAKEITFROMMETAL.COM. ANY NON-  
 EDUCATIONAL  
 REPRODUCTION IN PART OR AS A WHOLE  
 WITHOUT THE WRITTEN PERMISSION OF  
 MAKEITFROMMETAL.COM IS  
 PROHIBITED.

**UNLESS OTHERWISE SPECIFIED:**  
 DIMENSIONS ARE IN INCHES  
 TOLERANCES:  
 FRACTIONAL ±1/16  
 ANGULAR: MACH ±0.5 BEND ±1  
 TWO PLACE DECIMAL ±0.01"  
 THREE PLACE DECIMAL ±0.005"

MATERIAL	4140 HTSR
FINISH	AS MACHINED

TITLE: <b>SCREW JACK SCREW</b>			
SIZE	DWG. NO.		
<b>A</b>	<b>002</b>		
SCALE: 3:2	WEIGHT:	SHEET 2 OF 3	

4

3

2

1

4

3

2

1

D

D

C

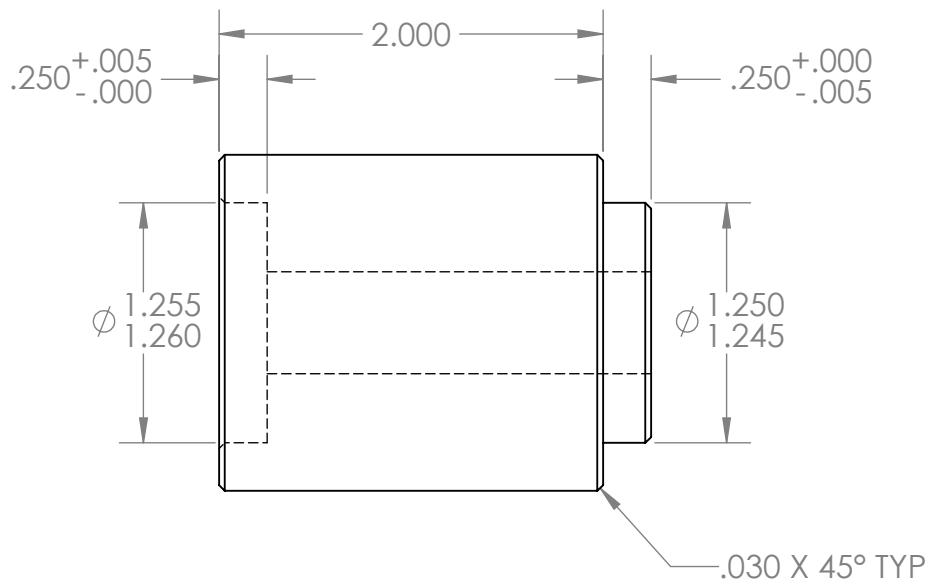
C

B

B

A

A



**UNLESS OTHERWISE SPECIFIED:**

DIMENSIONS ARE IN INCHES  
 TOLERANCES:  
 FRACTIONAL  $\pm 1/16$   
 ANGULAR: MACH  $\pm 0.5$  BEND  $\pm 1$   
 TWO PLACE DECIMAL  $\pm 0.01$ "  
 THREE PLACE DECIMAL  $\pm 0.005$ "

MATERIAL	4140 HTSR
FINISH	AS MACHINED

TITLE:  
**SCREW JACK  
 RISER BLOCK**

SIZE DWG. NO.  
**A 003**

SCALE: 1:1 WEIGHT: SHEET 3 OF 3

**PROPRIETARY AND CONFIDENTIAL**  
 THE INFORMATION CONTAINED IN THIS  
 DRAWING IS THE SOLE PROPERTY OF  
 MAKEITFROMMETAL.COM. ANY NON-  
 EDUCATIONAL  
 REPRODUCTION IN PART OR AS A WHOLE  
 WITHOUT THE WRITTEN PERMISSION OF  
 MAKEITFROMMETAL.COM IS  
 PROHIBITED.

4

3

2

1