

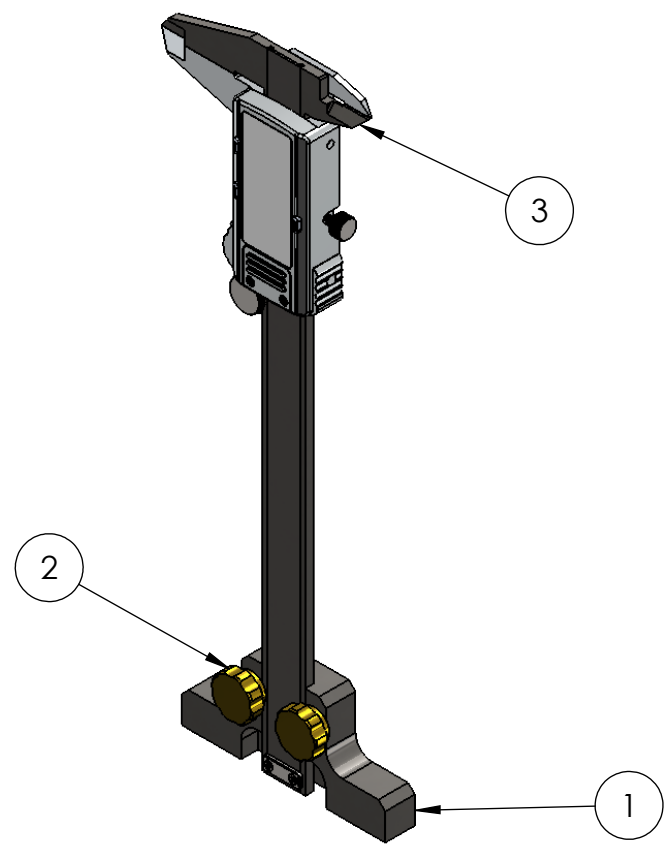
4

3

2

1

ITEM NO.	DESCRIPTION	QTY.
1	BASE	1
2	THUMBSCREW	2
3	CALIPERS (NOT INCLUDED)	1



D

D

C

C

B

B

A

A

**PROPRIETARY AND CONFIDENTIAL**  
 THE INFORMATION CONTAINED IN THIS  
 DRAWING IS THE SOLE PROPERTY OF  
 MAKEITFROMMETAL.COM. ANY NON-  
 EDUCATIONAL  
 REPRODUCTION IN PART OR AS A WHOLE  
 WITHOUT THE WRITTEN PERMISSION OF  
 MAKEITFROMMETAL.COM IS  
 PROHIBITED.

**UNLESS OTHERWISE SPECIFIED:**  
 DIMENSIONS ARE IN INCHES  
 TOLERANCES:  
 FRACTIONAL ±1/16  
 ANGULAR: MACH ±0.5 BEND ±1  
 TWO PLACE DECIMAL ±0.01"  
 THREE PLACE DECIMAL ±0.005"

MATERIAL
FINISH

TITLE: <b>CALIPER DEPTH ATTACHMENT</b>			
SIZE <b>A</b>	DWG. NO. 001		
SCALE: 1:2	WEIGHT:	SHEET 1 OF 3	

4

3

2

1

4

3

2

1

D

D

C

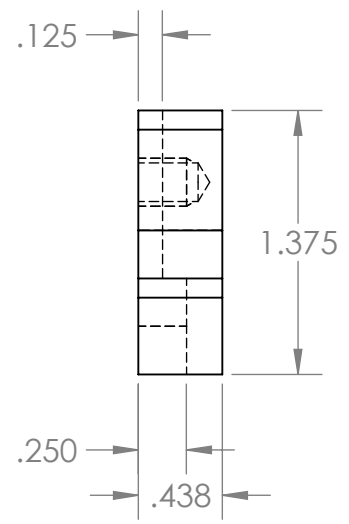
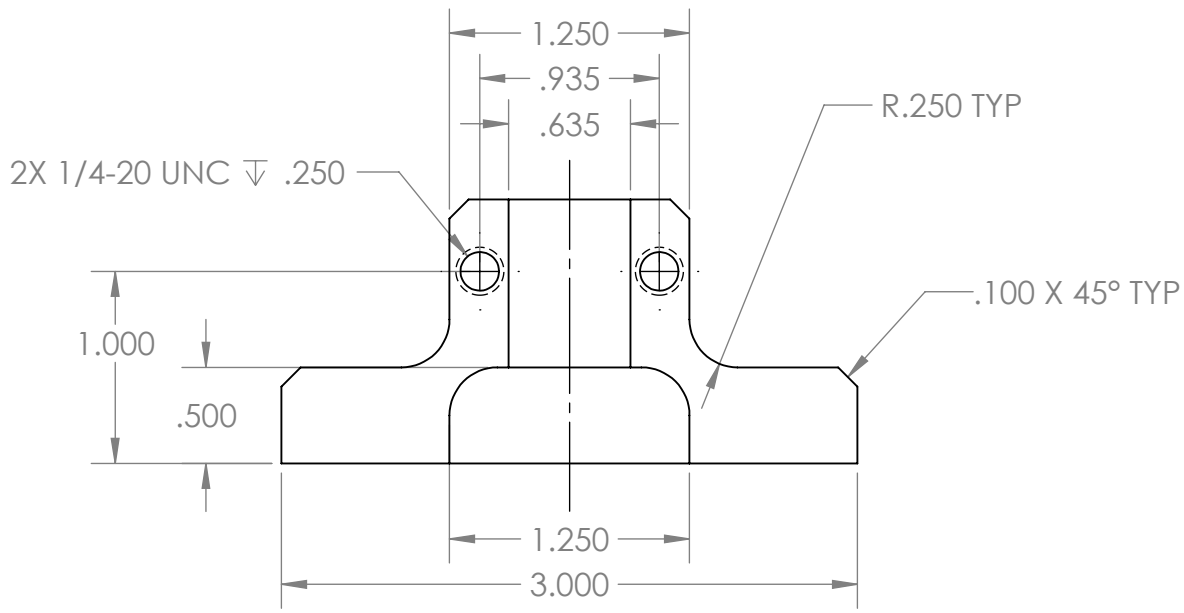
C

B

B

A

A



**PROPRIETARY AND CONFIDENTIAL**  
 THE INFORMATION CONTAINED IN THIS  
 DRAWING IS THE SOLE PROPERTY OF  
 MAKEITFROMMETAL.COM. ANY NON-  
 EDUCATIONAL  
 REPRODUCTION IN PART OR AS A WHOLE  
 WITHOUT THE WRITTEN PERMISSION OF  
 MAKEITFROMMETAL.COM IS  
 PROHIBITED.

**UNLESS OTHERWISE SPECIFIED:**  
 DIMENSIONS ARE IN INCHES  
 TOLERANCES:  
 FRACTIONAL ±1/16  
 ANGULAR: MACH ±0.5 BEND ±1  
 TWO PLACE DECIMAL ±0.01"  
 THREE PLACE DECIMAL ±0.005"

MATERIAL	MILD STEEL
FINISH	AS MACHINED

TITLE: CALIPER DEPTH ATTACHMENT BASE			
SIZE	DWG. NO.		
<b>A</b>	002		
SCALE: 1:1	WEIGHT:	SHEET 2 OF 3	

4

3

2

1

4

3

2

1

D

D

C

C

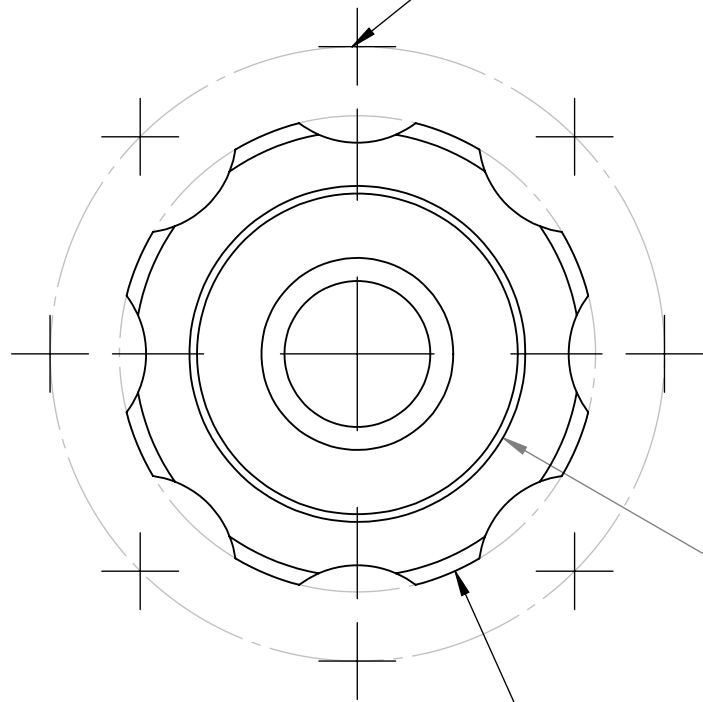
B

B

A

A

$\phi 0.250$  THRU  
 ON  $\phi 0.800$  BC  
 8 PLCS



1/4-20 UNC 2A

.010 X 45°

.020 X 45°  
2 PLCS

$\phi .438$

$\phi .620$



**PROPRIETARY AND CONFIDENTIAL**  
 THE INFORMATION CONTAINED IN THIS  
 DRAWING IS THE SOLE PROPERTY OF  
 MAKEITFROMMETAL.COM. ANY NON-  
 EDUCATIONAL  
 REPRODUCTION IN PART OR AS A WHOLE  
 WITHOUT THE WRITTEN PERMISSION OF  
 MAKEITFROMMETAL.COM IS  
 PROHIBITED.

**UNLESS OTHERWISE SPECIFIED:**  
 DIMENSIONS ARE IN INCHES  
 TOLERANCES:  
 FRACTIONAL  $\pm 1/16$   
 ANGULAR: MACH  $\pm 0.5$  BEND  $\pm 1$   
 TWO PLACE DECIMAL  $\pm 0.01$ "  
 THREE PLACE DECIMAL  $\pm 0.005$ "

MATERIAL	BRASS
FINISH	POLISHED

TITLE:  
 CALIPER DEPTH ATTACHMENT  
 THUMBSCREW

SIZE	DWG. NO.
<b>A</b>	<b>003</b>

SCALE: 4:1	WEIGHT:	SHEET 3 OF 3
------------	---------	--------------

4

3

2

1